

# KOCKEN

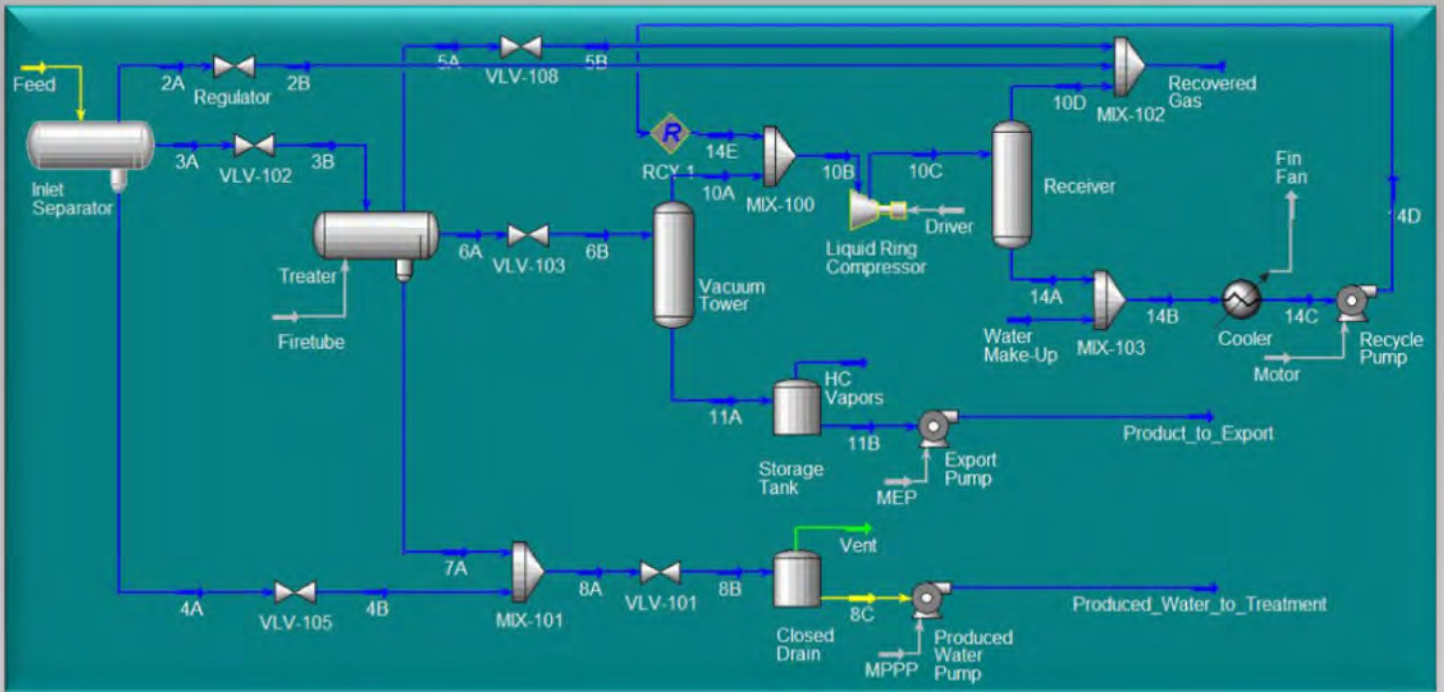
## SISTEMAS DE ENERGIA INC.

### CRUDE OIL TREATING



All KOCKEN equipment is constructed according to their associate API Specifications, ASME Section VIII, Division 1 requirements and customer specifications as required.

KOCKEN Sistemas de Energia Inc. offers a wide range of crude oil processing equipment. Application of the correct technology removes salts and water from any crude oil stream to produce a stabilized product with BS&W ( Basic Sediment & Water ) values guaranteed as low as 0.1%. Implementation of distillation / stabilization via vacuum induction or heating provides precise control of the stream vapor pressure, sweetens, and ensures safe storage and transportation of the product. We have a vast array of experience working with all mixtures of crudes ranging from extra-heavy sour Mayan having specific gravities as low as API 6 to WTI grade API 40. Let KOCKEN apply the correct technology for your crude oil processing application.



PFD for Typical Crude Oil Separation, Dehydration, Sweetening and Stabilization Battery

### TECHNOLOGY SELECTION CRITERION

	Free Water	≥ 2.0% Water	≥ 0.5% BS&W	≥ 0.1% BS&W	De-Sanding	De-Salting	RVP Control	H <sub>2</sub> S/CO <sub>2</sub> Removal
Free Water Knockout	HR	NR	NR	NR	NR	NR	NR	NR
3-Phase Separator	R	HR	NR	NR	NR	NR	NR	NR
Heater Treater	S	S	HR	NR	HR	HR	NR	NR
Electrostatic Treater	S	NR	R	HR	HR	HR	NR	NR
Stabilizer Tower	NA	NA	NA	NA	NR	NR	HR	S
Vacuum Tower	NA	NA	NA	NA	NR	NR	HR	HR
<b>LEGEND</b>	<b>HR</b> HIGHLY RECOMMENDED <b>S</b> SUITABLE <b>NA</b> NOT APPLICABLE				<b>R</b> RECOMMENDED <b>NR</b> NOT RECOMMENDED			

# APPLYING WORLD CLASS TECHNOLOGIES IN PURSUIT OF SUPERIOR EFFICIENCY

3700 - 400 3RD Ave. S.W.  
 Calgary, AB Canada T2P 4H2  
 Tel: + 780 468 5007

info@kockenenergia.com

Bldv. Adolfo Ruiz Cortines No. 444-B  
 Entre Calle 5 y 7, Fracc. Costa Verde,  
 Boca del Rio, Veracruz CP 94294 México  
 Tel + 52 22 99 25 40 13  
 preguntas@kockenenergia.com

Pine Grove Centre  
 305 Highway 10, PO Box 60  
 Bridgewater, NS Canada B4V 2W6  
 Tel: + 902 527 2000  
 info@kockenenergia.com

